

PLUG & TOUCH BY RODENSTOCK

Fast. High Quality. Affordable.

AUTO-REF-KERATOMETER
CX 800



- Central K-values
- Pupil + cornea \varnothing measurement
- Colour touch screen
- High accuracy
- High accuracy
- Auto measurement
- High accuracy

QUALITY IN DETAIL



The **Rodenstock Refractor-Keratometers** are an integral part of modern eye diagnostic. Highly accurate measurements combined with the very short examination time and easy handling makes working with the **Rodenstock CX 800** professional and quick. You can operate and align the **CX 800** through the combination of joystick and touch screen – all this in a very short time.

Colour Touch Screen

The 5.7" colour touch screen is used as operating monitor as well as for displaying all measured values. All commands can be done via touch screen.

Pupil + Cornea \varnothing measurement

Once you have captured your patients' eye, you can set the pupil and cornea measurement bars to individual diameters. These values will also be stored, displayed and printed.

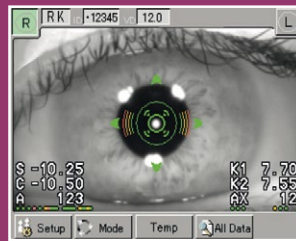
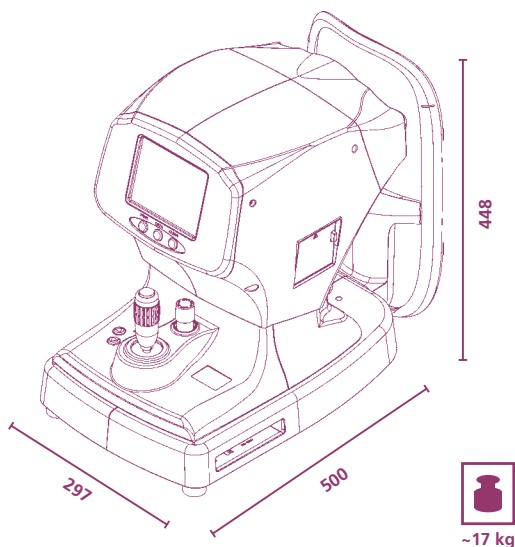
Auto measurement

The handling of the **CX 800** is very easy. By aligning the optical head towards the patients' eye, the measurement is automatically taken over by the instrument itself.

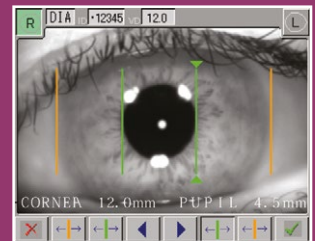
Central K-values

The **CX 800** provides you with the measured central (\varnothing 3 mm) Keratometer readings within a second. You can take these readings from a cornea or the back surfaces of a RGP contact lens.

Dimensions



Auto measurement



Pupil & cornea measurement

SPECIFICATIONS

Refractive power measurement

Spherical refractive power (S)

Measurement range -25.00 D to +22.00 D
(at VD = 12.0 mm)

Display unit 0.01 D / 0.12 D / 0.25 D

Cylindrical refractive power (C)

Measurement range 0 D to \pm 10.00 D
(at VD = 12.0 mm)

Display unit 0.01 D / 0.12 D / 0.25 D

Astigmatism axial (A)

Measurement range 0° to 180°

Display unit 1°

Corneal curvature measurement (K1, K2, AVG)

Measurement range 5.00 mm to 11.00 mm / 30.68 D
to 67.50 D (n=1.3375)

Display unit 0.01 mm

Corneal astigmatism and axis (C, A)

Measurement range (C) 0 D to 10 D (n=1.3375)

Measurement range (A) 0° to 180°

Measurement area cornea \varnothing 3.0 mm
(at 8.00 mm corneal curvature)

PD range 50 mm to 86 mm

Minimum pupil diameter \varnothing 2.0 mm

Vertex distance 0 mm - 16.0 mm

Main unit

Built-in printer Thermal printer

Output RS 232 C

Display 5.7" colour LCD display

PD range 50 mm to 86 mm

Chin rest \varnothing 2.0 mm

Vertex distance electr. controlled

Dimensions & electric Requirements

Dimensions WDH 297 x 500 x 448 mm

Weight Approx. 17.0 kg

Voltage 100 VAC to 240 VAC

Frequency 50/60 Hz

Power consumption 80 VA to 100 VA

